



Voyager Sconce





Voyager Sconce

This previously presented option has been improved to have a 4-inch distance from the wall.
The choices include polished brass, nickel option, and cast option with a patina finish.

Three options were created.

Option 1:

Both the wall-mounted support and the entire hand-plated brass structure are made of high-gloss polished brass.

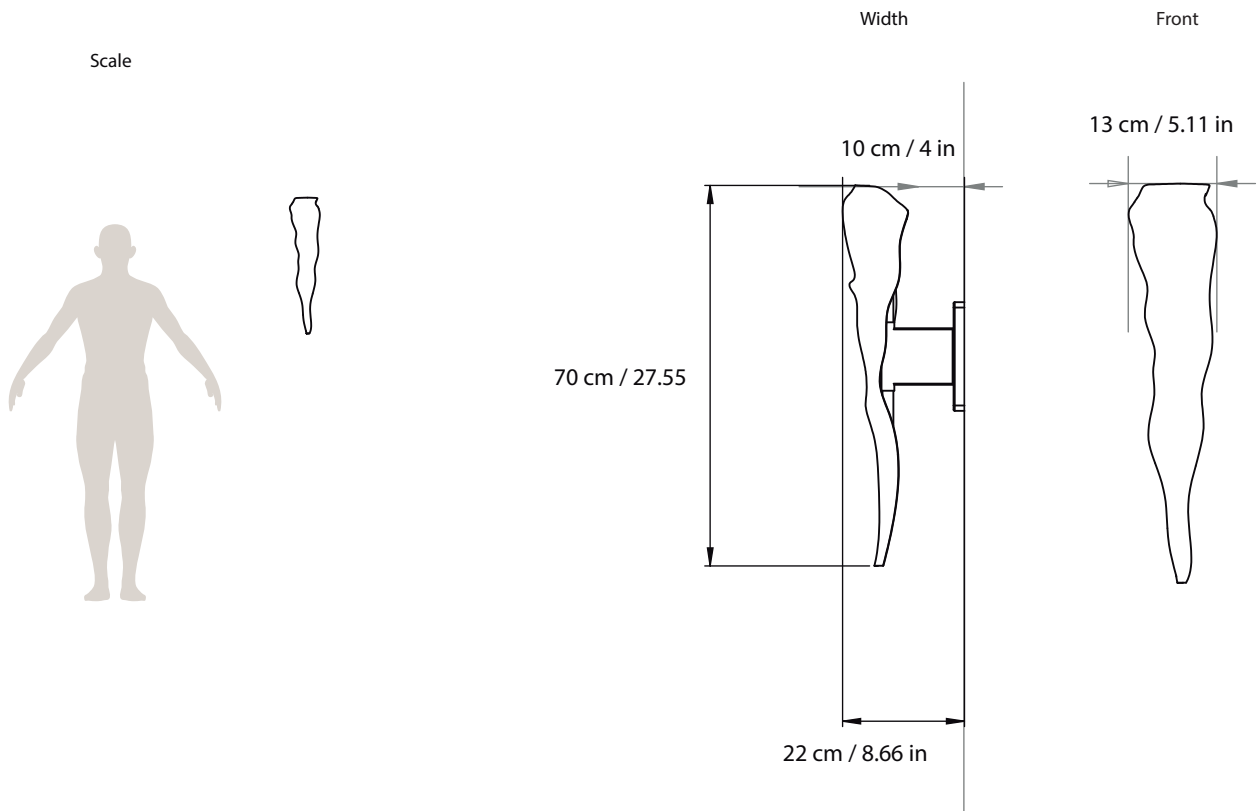
Option 2:

In this option, only the wall support is made of polished brass, while the structure is made of a cast structure with patina application.

Option 3:

In this option, the entire structure is brass-plated but with a nickel bath finish and a high-gloss varnish.

The piece has a distance from the wall of 10 cm / 4 in,
Maximum depth of 22 cm / 8.66 in
Height of 70 cm / 27.55
Width of 13 cm / 5.11 in

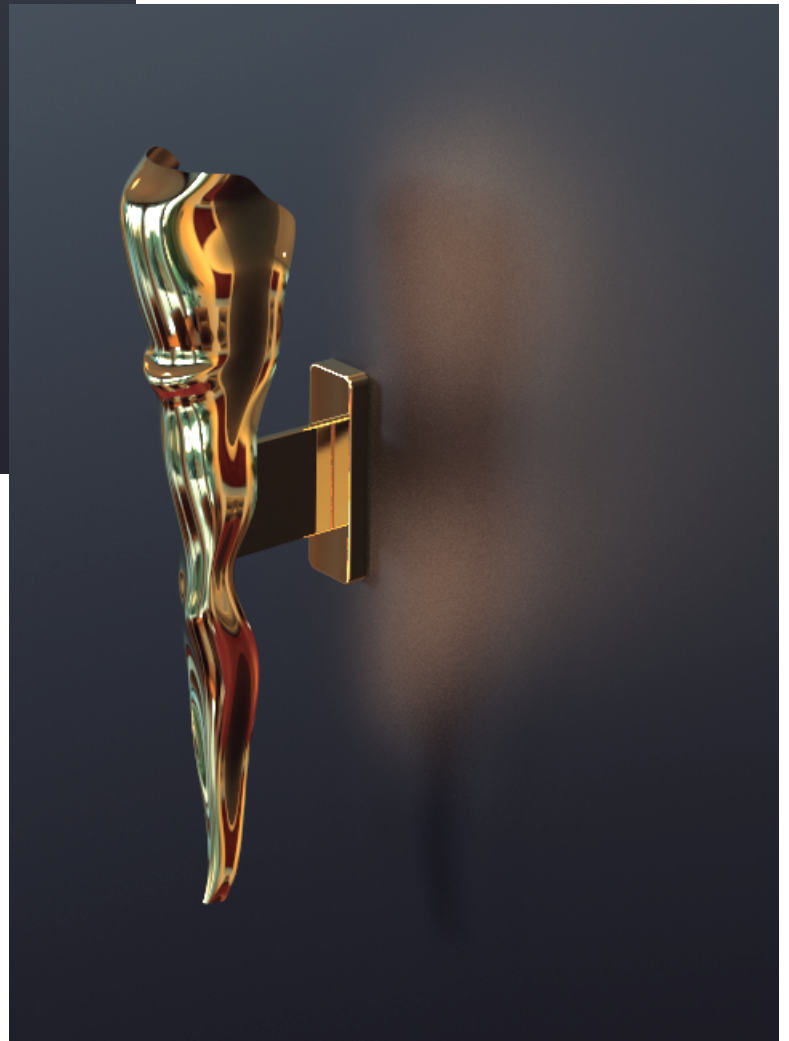
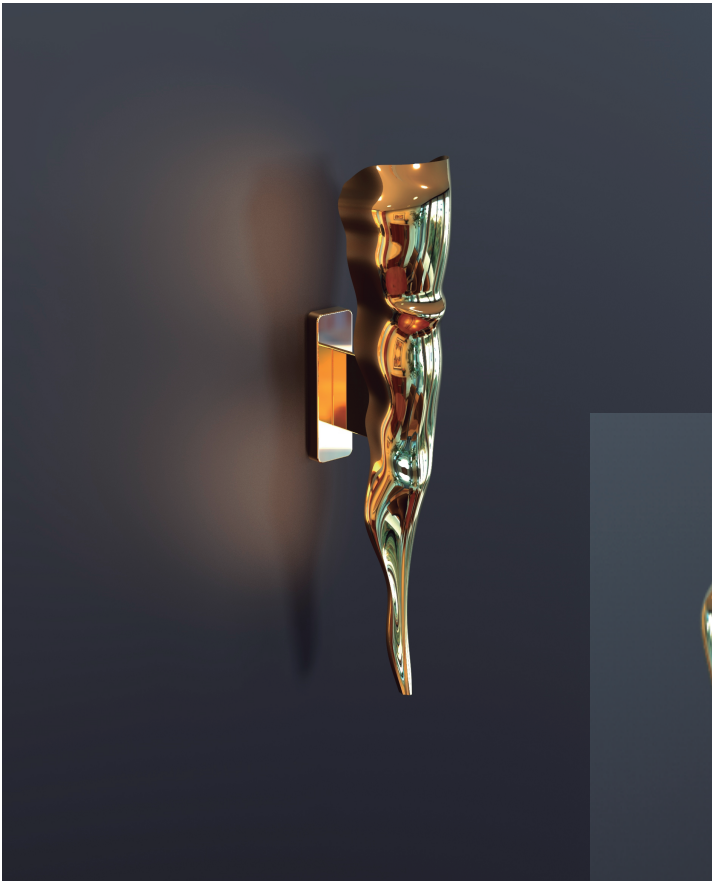




Voyager Sconce

Option 1:

Both the wall-mounted support and the entire hand-plated brass structure are made of high-gloss polished brass.





Voyager Sconce

Option 2:

In this option, only the wall support is made of polished brass, while the structure is made of a cast structure with patina application.





Voyager Sconce

Option 3:

In this option, the entire structure is brass-plated but with a nickel bath finish and a high-gloss varnish.

